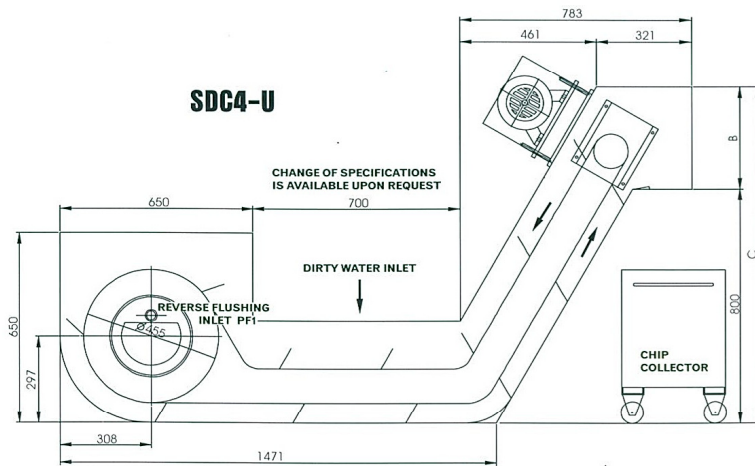
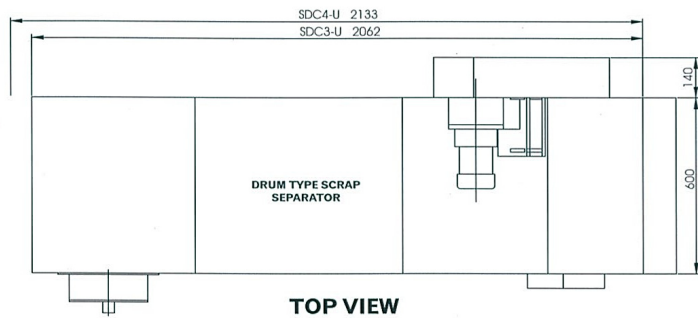
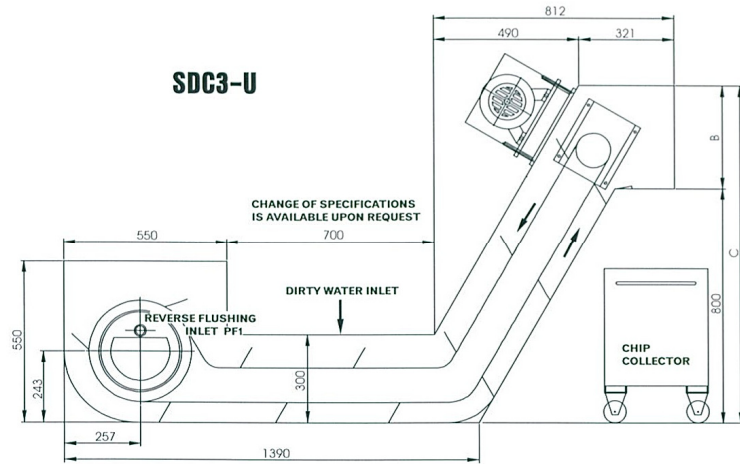
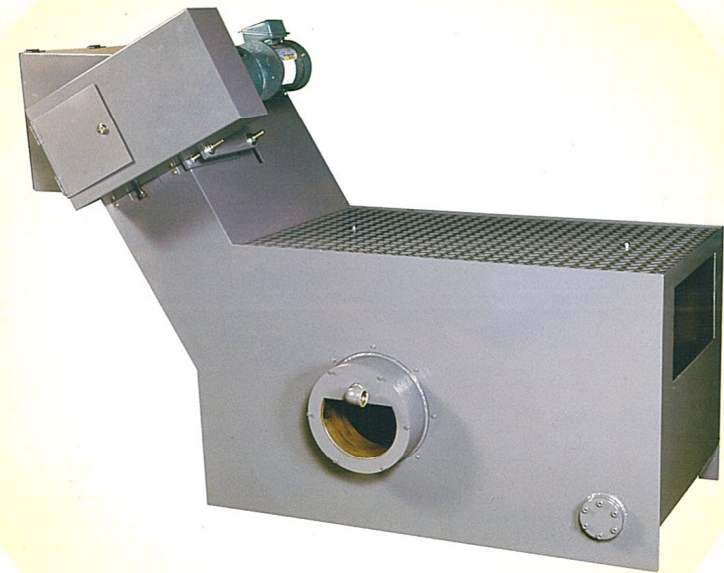


OUTWARD VIEW OF CUSTOMER'S SPECIAL SPECIFICATIONS



DRUM TYPE SCRAPER SEPARATOR

COOLANT FILTRATION SYSTEM



SDC3-1

※ APPLICABLE TO : ALUMINIUM. NON-MAGNETIC MATERIALS. COMPOUND-MATERIAL ※



UNI MAGNETIC INDUSTRIAL CO., LTD.
 NO. 70, LANE 305, SEC 3, CHUNG SHAN RD, TAN TZE TAICHUNG, TAIWAN R. O. C.
 TEL: 886-4-5339765 . 5329765 FAX : 886-4-5322750

FEATURES:

1. Consume no filtration materials:

Coolant being filtered through filtration cloth will flow inwardly into clean-water tank. Impurities being filtered through filtration cloth will be flushed by the internal reverse flushing flow. It always keeps filtration cloth clean.

2. Low reverse flushing flow:

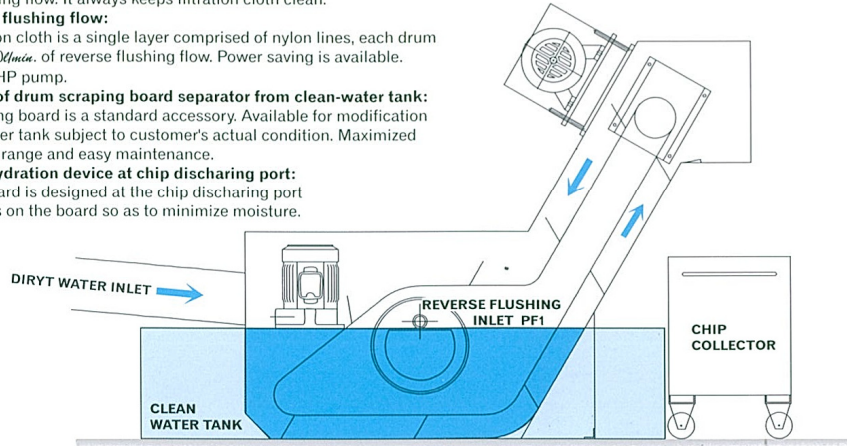
Since filtration cloth is a single layer comprised of nylon lines, each drum needs only 40l/min. of reverse flushing flow. Power saving is available. Use only 1/4HP pump.

3. Separation of drum scraping board separator from clean-water tank:

Drum scraping board is a standard accessory. Available for modification for clean-water tank subject to customer's actual condition. Maximized modification range and easy maintenance.

4. Simple dehydration device at chip discharging port:

A sloping board is designed at the chip discharging port to keep chips on the board so as to minimize moisture.



- Notes: 1. Capacity of clean-water tank is double of disposal at least.
2. Maximum disposal capacity is fulfilled by 53μ filtration cloth for water-soluble coolant.

MODEL	MAX. DISPOSAL VOL.	MOTOR	DIA. x QTY.	DIMENSION			INLET HEIGHT	
				A	B	C	D	H
	l/min	HP	∅	mm			mm	
SDC3-1	300	0.1kw	∅ 300 x 1	1450	350	1150	330	600
SDC3-2	700	0.2kw	∅ 300 x 2	1850	350	1150	330	600
SDC3-3	1000	0.2kw	∅ 300 x 3	2250	350	1150	330	600
SDC4-1	500	0.1kw	∅ 400 x 1	1650	350	1150	430	700
SDC4-2	1000	0.2kw	∅ 400 x 2	2100	350	1150	430	700

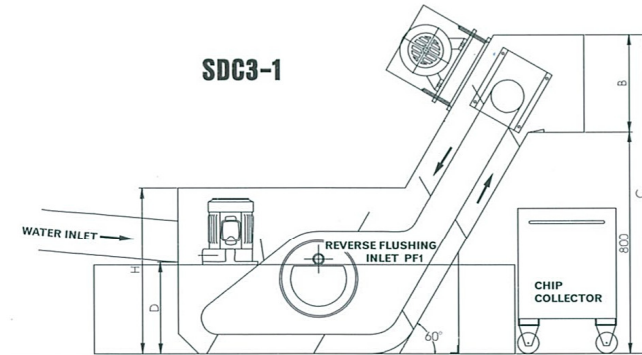
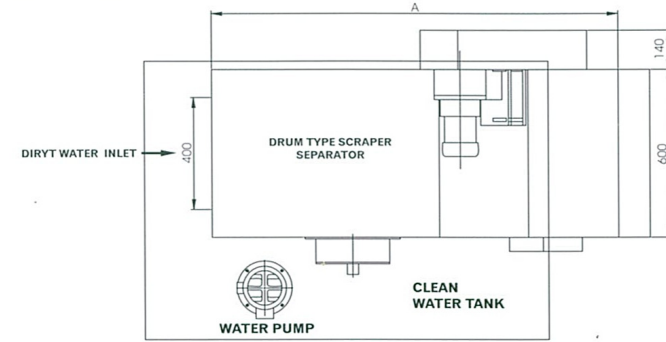
FILTRATION CLOTH TABLE

FILTRATION CLOTH ACCURACY	PERCENTAGE OF COVERED AREA	FUNCTIONS
85 μ	44%	ORDINARY MACHINING
53 μ	35%	COMPOUND-MATERIAL WORKING
40 μ	30%	DEEP-HOLE DRILLING DEEP REAMING

OPTIONAL ACCESSORIES

- ELECTRIC BOX
- TERMINALS BOX
- OIL SKIMMER (DISC TYPE OR NET TYPE)
- CHIP COLLECTOR
- WATER PUMP AND REVERSE FLUSHING PIPES

OUTWARD VIEW OF STANDARD SPECIFICATIONS



OUTWARD VIEW OF CUSTOMER'S SPECIAL SPECIFICATIONS

