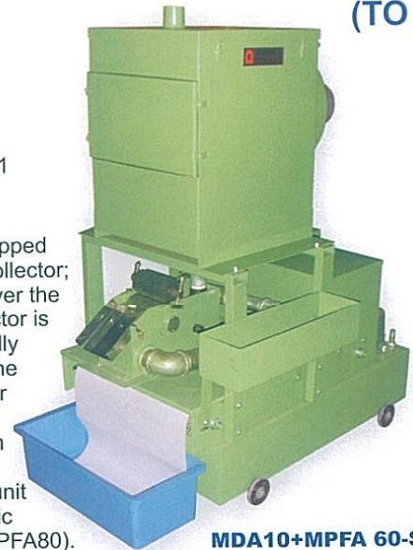


- Inlet air speed: 22m/s (1HP)
Noise: 60dB
Processing capacity: 5M³/min

- Standard equipment:
1. Inlet duct(2M) x1
2. Inlet duct connector x1
3. Inlet duct binder x2
4. Pump discharge pipe(2M) x1
5. Chip collecting tank x1

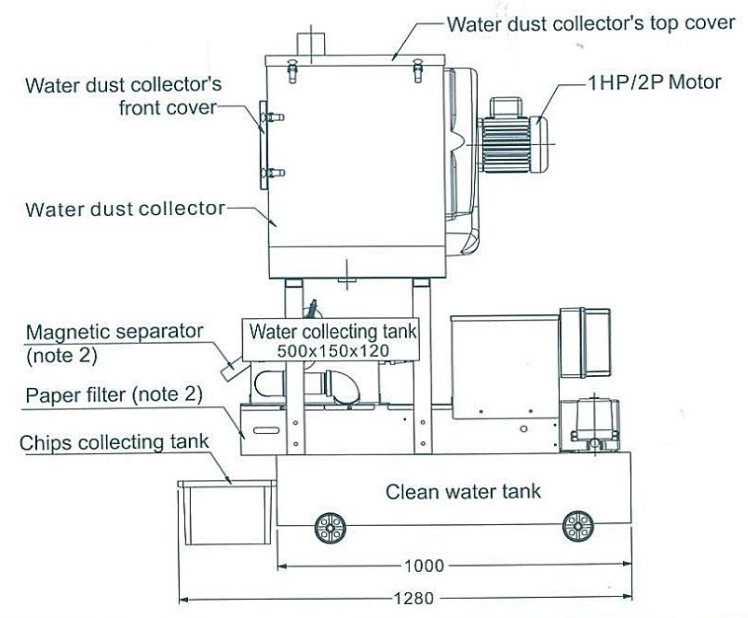
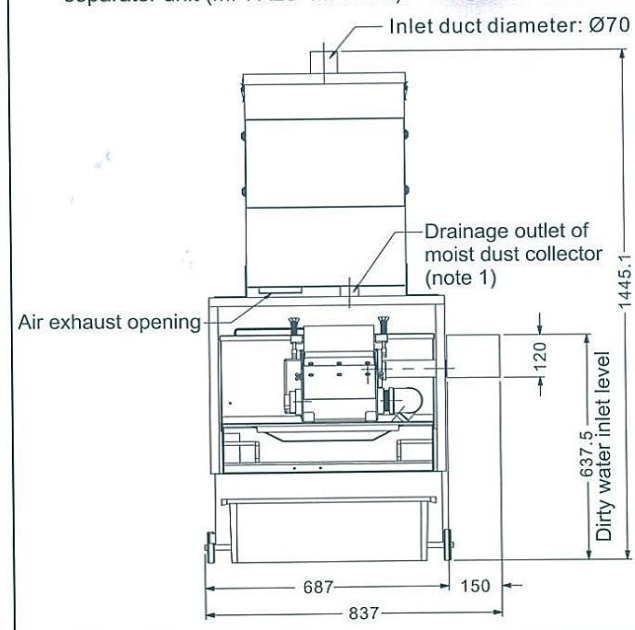
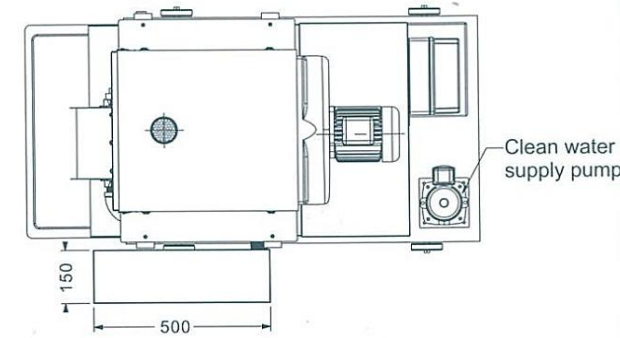
- Note:
1. Auto draining device is equipped at the outlet of moist dust collector; when coolant collected is over the setting level while the collector is shutdown, it will automatically discharge the coolant into the magnetic separator or paper filter unit.
2. The moist dust collector can widely accommodate to the combination of paper filter unit (PFA20~PFA80) or magnetic separator unit (MPFA20~MPFA80).

MOIST DUST COLLECTOR + MAGNETIC PAPER FILTER (TO COLLECT MASSIVE COOLANT)



MDA10+MPFA 60-SA

DIMENSION



Model MDA 10+ MPFA 60 - SA

- Water-supply pump: SA: (1/8HP); S4: (1/4HP)
- Capacity/min: 20L/min, 40L/min, 60L/min
- Paper filter (PFA20~PFA80)
- Magnetic paper filter (MPFA20~MPFA80)
- Magnetic separator MSA: Super. MCA: Ferrite.
- Power 10: 1HP; power 05: 1/2 HP
- MDA: moist dust collector (to collect massive coolant)
- MDT: dry/wet dust collector
- MD: dry dust collector

- Note:
1. Screening precision of super magnetic separator: 10~20μ
 2. Client-selected capacity options of magnetic separator: 20L, 40L or 60L
 3. Client-selected pump power options: 1/8HP or 1/4HP
 4. Recommended pump combination: (a) 1/8HP with 20L or 40L magnetic separator; (b) 1/4HP with 60L magnetic separator.
 5. To reduce equipment cost, for coarse particles (50μ~100μ or bigger) easier to adsorb, customer may select the permanent ferrite magnet (common type).

080319-1000

UNI MAGNETIC INDUSTRIAL CO., LTD.
No 23, Gongye West 6th Rd, Lukang Town,
Chang hua Hsien, Taiwan R. O. C

TEL: 886 - 4 - 7810900
FAX : 886 - 4 - 7810901
http : //www.unimag.com.tw
E-mail : unicoldt@ms26.hinet.net



ISO 9001
FM 518819



DRY/WET DUST FILTERING DEVICE

APPLICABLE TO

- | | |
|---------------------------|-----------------------|
| 1. CNC machine | 2. CNC grinder |
| 3. Forming grinder | 4. Plane grinder |
| 5. External curve grinder | 6. Inner hole grinder |
| 7. Flushing machine | 8. Coreless grinder |



ACOUSTIC BARRIER HOOD

MDT10+MSA60-SA

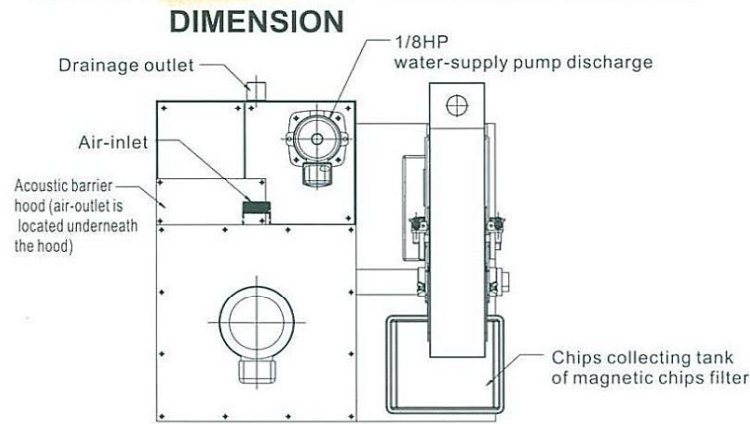
DRY/WET DUST COLLECTOR + SUPER MAGNETIC SEPARATOR

FEATURES:

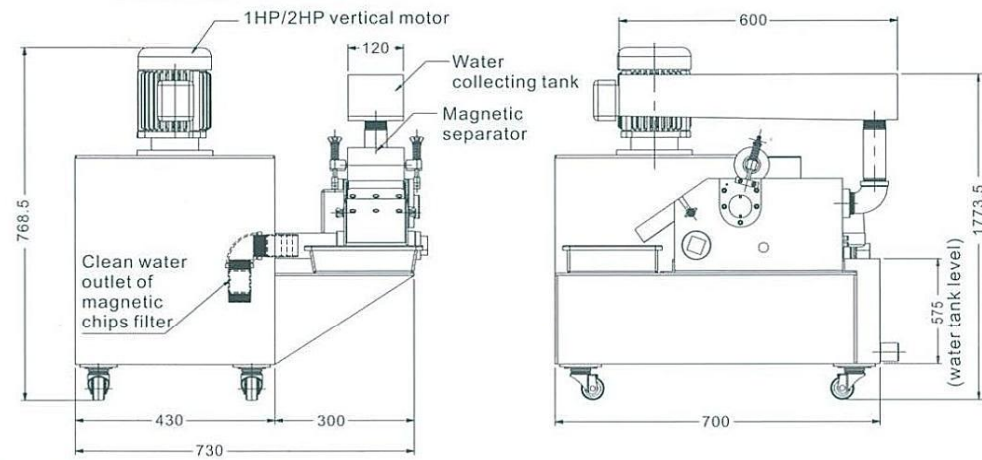
The Moist dust collector can capture the moist dust and fog generated by the cutting machines:

1. Hazard to human body: headache or allergy caused from the moist dust or fog inhaled to lump or adsorbed on skin.
2. A major reason of indirect accident: personal slippery falls by the dissipation of moist fog.
3. Production efficiency reduction: the dissipation of moist dust or fog would cause a reduction of labor willing and production efficiency.
4. Disable the fire detection capability: the fire detectors may become disabled while covered by moist fog.
5. Cause cutting machine's damage: the penetration of moist dust or fog would make electrical disorders in the electrical cabinets.

MOIST DUST COLLECTOR

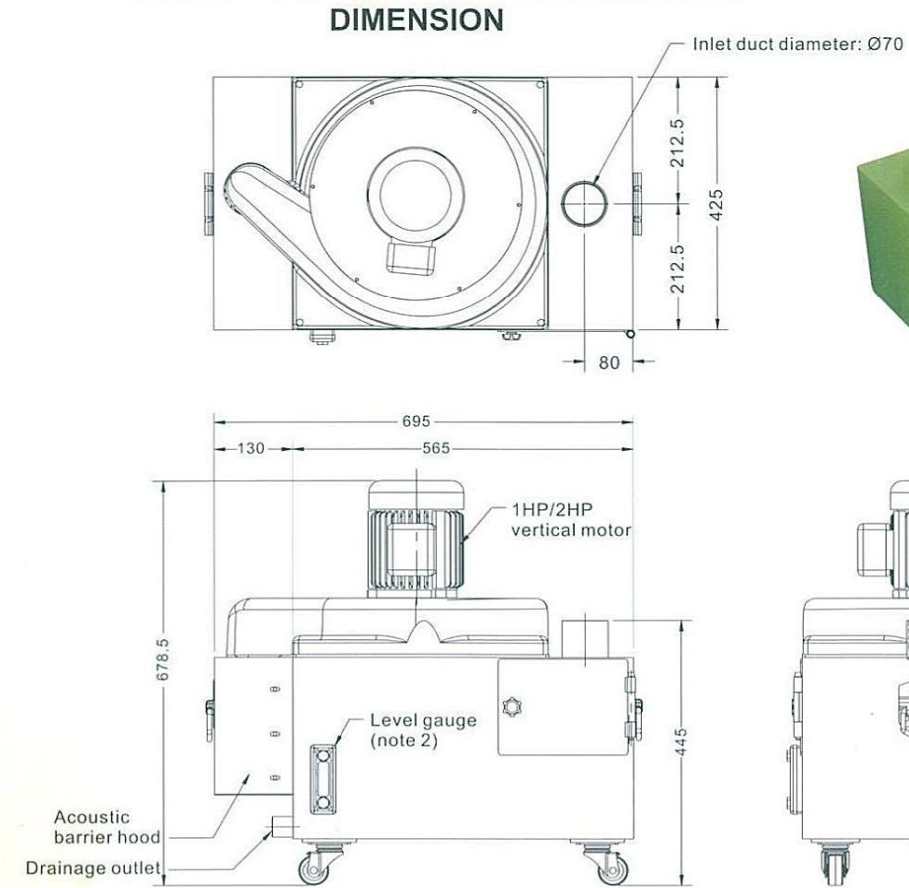


MD10+MCA20-SA



- Inlet air speed: 15m/s(1HP)
Noise level: 78dB
Processing capacity: 2.5M³/min
Water-storing capacity: 65 liter
Water-supply pump: Power: 1/8HP
Flowrate: 20L/min
- Magnetic separator:
Processing capacity: 20L/min
Motor: 25W
- Standard equipment:
1. Inlet duct(2M) x1
2. Inlet duct connector x1
3. Inlet duct binder x2
- Note: water-collecting tank can be customized (special part)

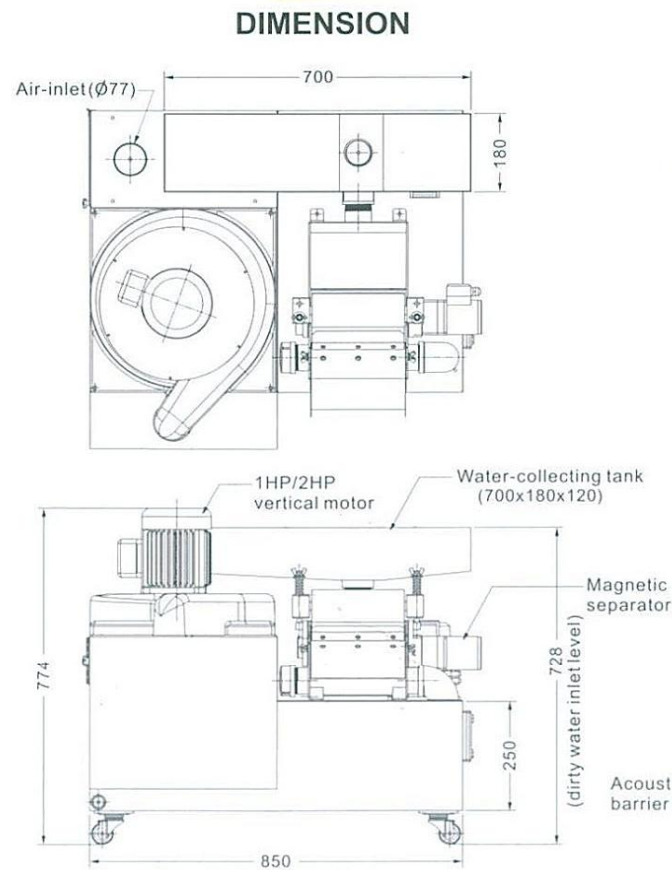
DRY DUST COLLECTOR



MD10

- Air-inlet speed: 29m/s(1HP)
Noise level: 68dB
Processing capacity: 5.6M³/min
- Standard equipment:
1. Inlet duct(2M) x1
2. Inlet duct connector x1
3. Inlet duct binder x2
- Note: the water level inside water tank shall not exceed the level gauge; if exceeding, drain out water from the drainage outlet.

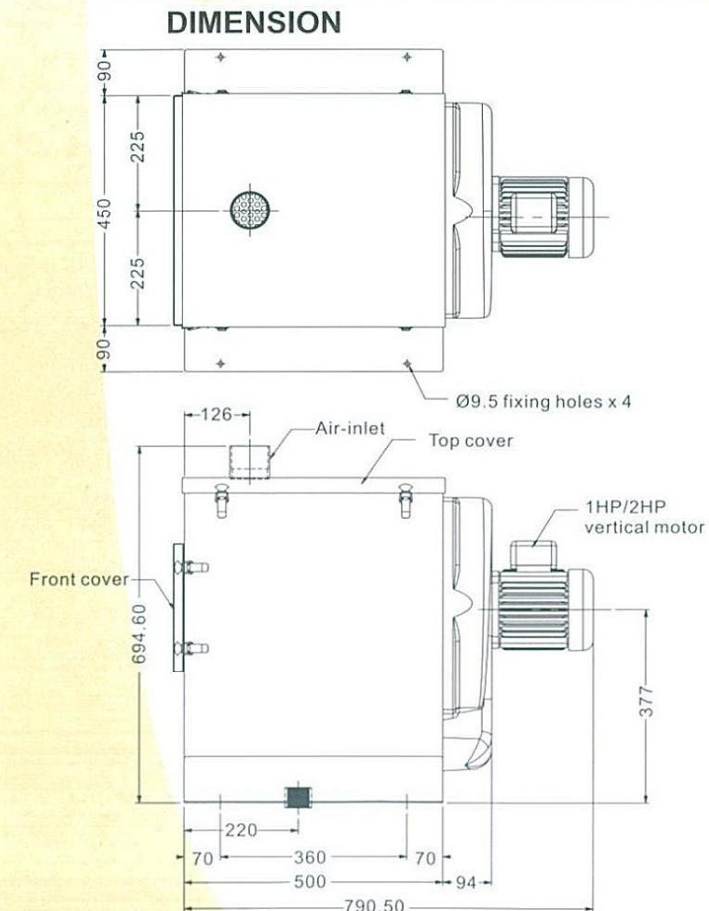
DRY/WET DUST COLLECTOR + SUPER MAGNETIC SEPARATOR



MDT10+MSA60-SA

- Inlet air speed: 29m/s(1HP)
Noise level: 68dB
Processing capacity: 5.6M³/min
Water-storing capacity: 120 liter
- Standard equipment:
1. Inlet duct(2M) x1
2. Inlet duct connector x1
3. Inlet duct binder x2
4. Pump discharge pipe(2M) x1
5. Chip collecting tank x1

MOIST DUST COLLECTOR (TO COLLECT MASSIVE COOLANT)



MDA10

- Air-inlet speed: 22m/s(1HP)
Noise level: 69dB
Processing capacity: 5M³/min
- Standard equipment:
1. Inlet duct(2M) x1
2. Inlet duct connector x1
3. Inlet duct binder x2
4. Standard footing x1
5. Drainage outlet x1
- Note 1:
footing can be customerizer (special part).
- Note 2:
drainage pipe assembly
1-1/4" x 4" nipples
Drainage outlet thread x1

