



# DUST & MIST COLLECTOR

## Applicable to the machines:

- |                     |                         |
|---------------------|-------------------------|
| 1. CNC Lathe        | 2. CNC machining center |
| 3. CNC Grinder      | 4. Centerless grinder   |
| 5. Surface grinder  | 6. Cylinder grinder     |
| 7. Internal grinder | 8. Washer               |

DUST & MIST



DC-10

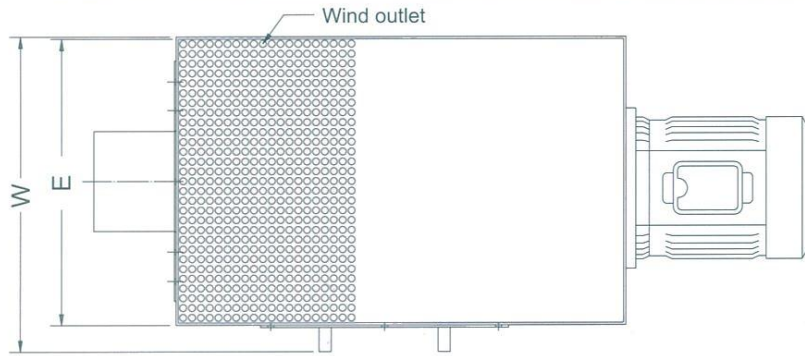
## FEATURES:

1. Work as high-efficiency eccentricity of revolving impeller through rough, middle, fine, and HEPA multilevel filtration material to filter dust and mist periodically. Filtration effect reaches 99.97%.
2. Mist and particle dust resulted from cutting and grinding will make a big multilevel, deep-seated filtration. No blockage, easily pull out for clearance and change.
3. Clean up, then rough liner can be used repeatedly.

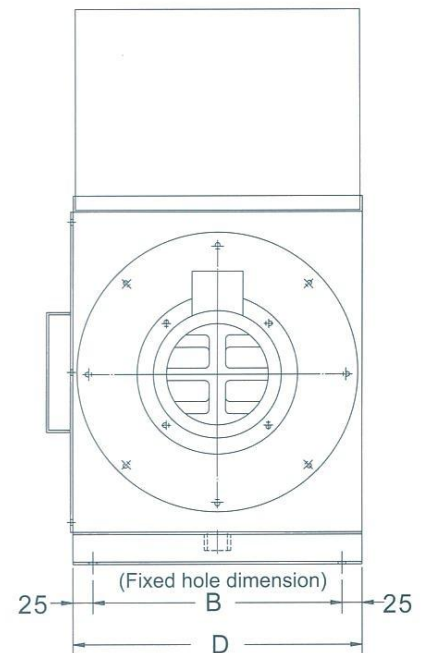
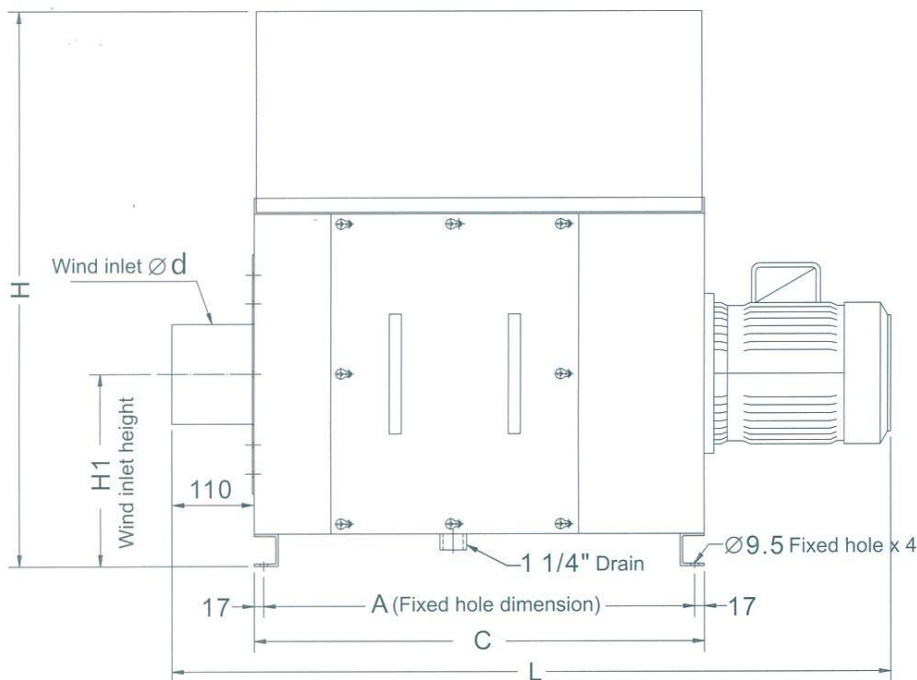


## Solving problems of dust, and mist (water or oil):

1. Jeopardy of human health: Lung sucks dust, mist or skin sticks these will result in headache, and allergy.
2. The reason of twice injury: Dust and mist spray on ground to make workers have slippery injury accidentally.
3. Reduction of productivity: Labors will lower working will and reduce productive efficiency where a place is around dust and mist.
4. Environment pollution and energy wastage: To drain out dust and mist to without refillable will pollute environment and reduce chilling efficiency of air-conditioned room which make electricity bill increase.
5. Effect of fire censor: Fire censor may lose function when covering dust and mist.
6. Effect of parent machine: The main reason for causing the electricity damage is that dust and mist run into electrical box.



**DC-1~30**  
DIMENSION



## DUST AND MIST COLLECTOR SPECIFICATIONS:

MODEL	A	B	C	D	∅ d	E	H	H1	L	W	MOTOR	POWER	DISPOSAL CAPACITY m <sup>3</sup> /min	COLLECTION EFFICIENCY OF PARTICULATE	NOISE db	MAX. SUCTION TEMPERATURE
DC-1	526	310	560	360	5"	360	692	240	894	393	1HP	220V 3∅	28	95% 0.5μ	69	MA X 75°C
DC-10	666	450	700	500	5"	500	836	313	1035	533	1HP	220V 3∅	22	99.9% 0.3μ	69	MA X 75°C
DC-20	666	600	700	650	6"	650	990	390	1115	683	2HP	220V 3∅	32	99.9% 0.3μ	71	MA X 75°C
DC-30	666	750	700	800	8"	800	1130	460	1115	833	3HP	220V 3∅	43	99.9% 0.3μ	73	MA X 75°C

Note: 1. Wind inlet diameter is available upon request.

2. When circle frequency is 50Hz, wind strength is multiple 0.8 disposal capacity as mentioned above.

080319-500



**UNI MAGNETIC INDUSTRIAL CO., LTD.**

No 23, Gongye West 6th Rd, Lukang Town,  
Chang hua Hsien, Taiwan R. O. C

TEL: 886 - 4 - 7810900

FAX : 886 - 4 - 7810901

http : //www.unimag.com.tw

E-mail : unicoldtd@ms26.hinet.net



ISO 9001  
FM 518819