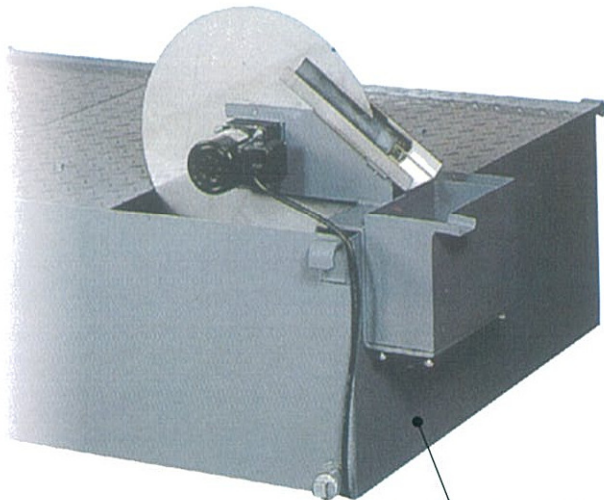


# A DISC TYPE OIL SKIMMER

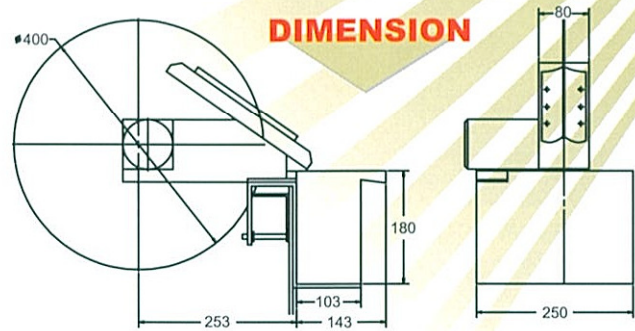
# OIL SKIMMER

## Feature

1. Removing floating oil on coolant surface, preventing coolant from deterioration.
2. Equipped with oil/water separating tank removing floating oil only.



COOLANT TANK



DIMENSION

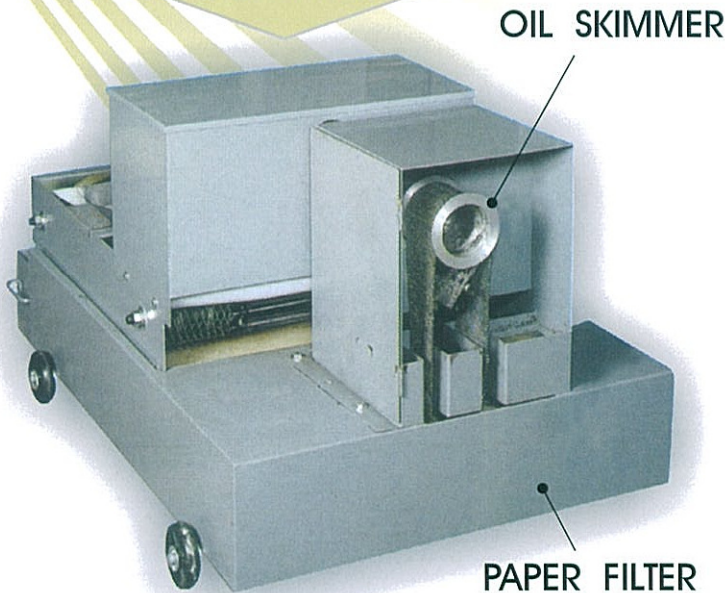
## SPECIFICATIONS

MODEL	DISC DIA.(MM)	MOTOR(W)	RETARDING RATIO	OIL LEVEL CHANGE
DS-3	300	25	1/180	50
DS-4	400	25	1/180	90
DS-5	600	25	1/180	150

- Notes:**
1. Special specifications are available
  2. Another model with concealed permanent magnet eliminating floating impurities on the oil surface.

# B NET TYPE OIL SKIMMER

# C BELT TYPE OIL SKIMMER



OIL SKIMMER

PAPER FILTER

## SPECIFICATIONS

MODEL	STAINLESS-STEEL NET WIDTH	MOTOR(W)	RETARDING RATIO
OS-4	100mm	25	1/180

**NOTE:** Special specifications are available.



OSC-2

## SPECIFICATIONS

MODEL	BELT WIDTH (mm)	MOTOR	L x W x H (mm)
OSC-2	40	6W 220V 1Ø	190x102x155
OSC-2T	40	6W 220V 1Ø	190x102x155
OS-2	40	6W 220V 1Ø	184x150x180
OSB-4	100	25W 220V 3Ø	288x180x180

- NOTE:**
1. Standard belt is suit for height of tank 150~200mm.
  2. Special specification please indicate height of tank.



## UNI MAGNETIC INDUSTRIAL CO., LTD.

No 23, Gongye West 6th Rd, Lukang Town, Chang hua Hsien, Taiwan R. O. C

TEL: 886 - 4 - 7810900

FAX : 886 - 4 - 7810901

http : //www.unimag.com.tw

E-mail : unicoltd@ms26.hinet.net