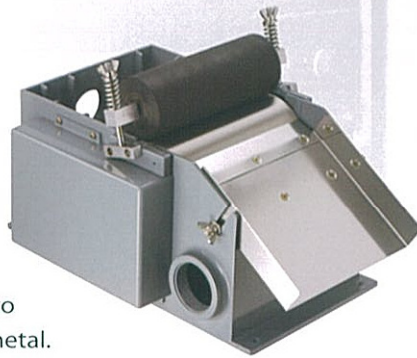


MCA

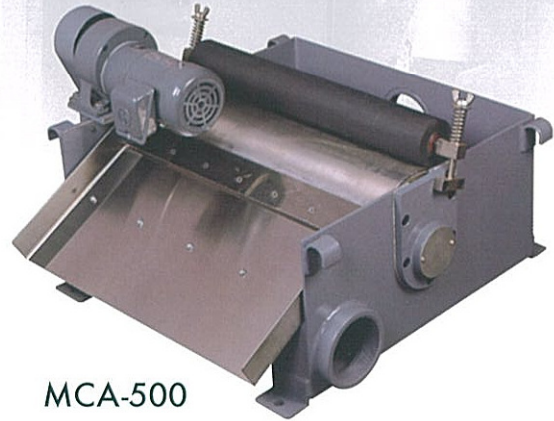
MAGNETIC SEPARATOR

FEATURES:

1. Most economical application to heavy machining for ferrous metal.
2. No filter media consumption. Serve as rough filtration in process.



MCA-60



MCA-500

Remark:

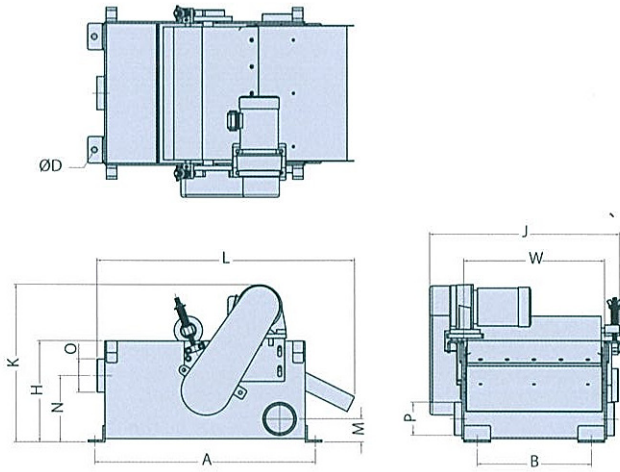
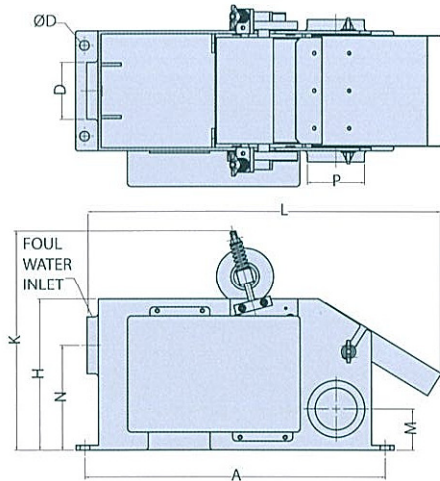
1. Standard accessories:
 - a. Sludge box 1pc
 - b. Plugs 2 pcs
 - c. Elbow 1 pc
 - d. Steel Tube 3pcs
2. Custom specification is available.

APPLICATION:

- | | |
|---------------------------------------|---------------------------|
| 1. Surface Grinding Machine | 5. Tread Grinding Machine |
| 2. Centerless Grinding Machine | 6. Gear Grinding Machine |
| 3. Internal/External Grinding machine | 7. Polisher |
| 4. Honing machine | |

DIMENSION DIAGRAM MCA-20~160

DIMENSION DIAGRAM MCA-240~500



SPECIFICATION

MODEL	CAPACITY L/MIN	L	W	H	M	N	A	B	D	J	X	INLET O	OUTLET P	MOTOR
MCA-20	20	464	130	205	65	145	398	100	11	230	300	PF1 1/2"	PF1 1/2"	220V 3Ø 25W
MCA-40	40	464	150	205	65	145	398	120	11	250	300	PF 2"	PF 2"	220V 3Ø 25W
MCA-60	60	464	206	205	60	150	398	176	11	306	300	PF 2"	PF 2"	220V 3Ø 25W
MCA-80	80	464	242	205	60	150	398	212	11	342	300	PF 2"	PF 2 1/2"	220V 3Ø 25W
MCA-120	120	530	270	245	68	185	456	230	11	380	345	PF 3"	PF 3"	220V 3Ø 40W
MCA-160	160	530	354	245	68	185	456	314	11	464	345	PF 3"	PF 3"	220V 3Ø 40W
MCA-240	240	820	420	305	70	200	660	340	17	585	480	PF 3"	PF 3"	220V 3Ø 100W
MCA-360	360	820	620	305	80	200	660	540	17	785	480	PF 4"	PF 4"	220V 3Ø 100W
MCA-500	500	820	820	305	90	200	660	740	17	985	480	PF 5"	PF 5"	220V 3Ø 100W
MCA-800	800	820	1220	305	90	200	660	1140	17	1385	480	PF 5"	PF 5"	220V 3Ø 200W
MCA-1000	1000	970	1520	405	110	285	810	1440	17	1385	580	PF 6"	PF 6"	220V 3Ø 200W