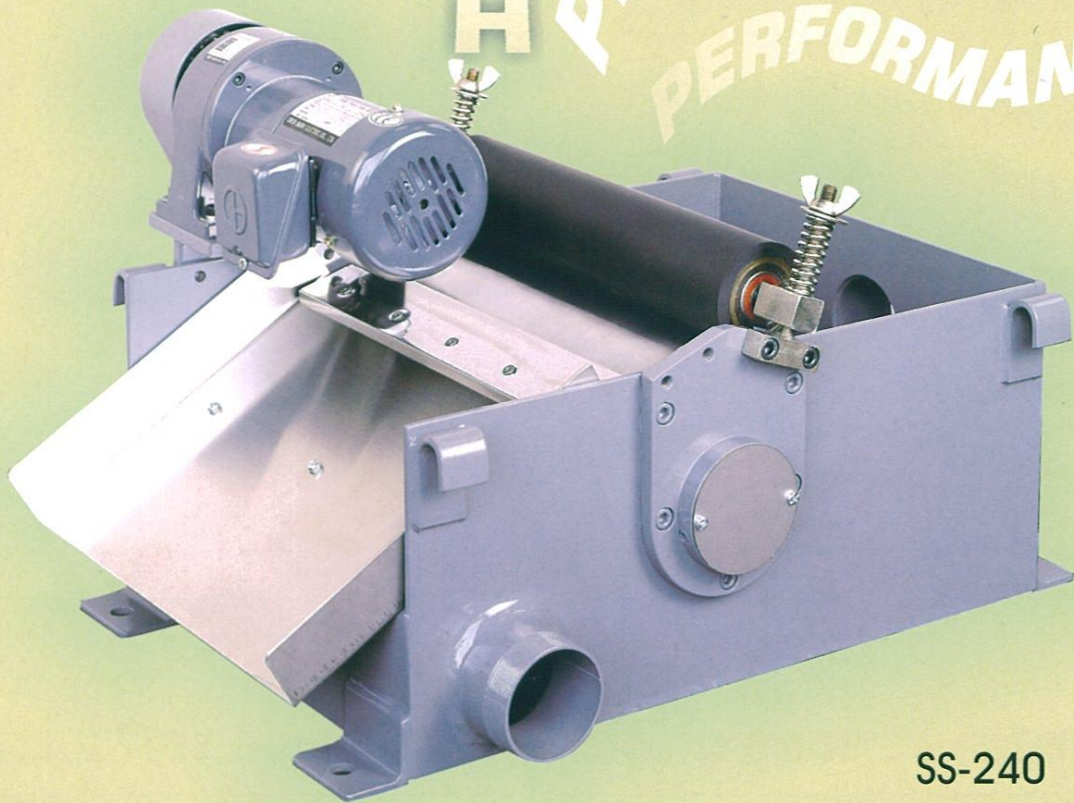




**10Times**  
SUPER-HIGH PERFORMANCE

SUPER HIGH PERFORMANCE



SS-240



## MAGNETIC SEPARATOR

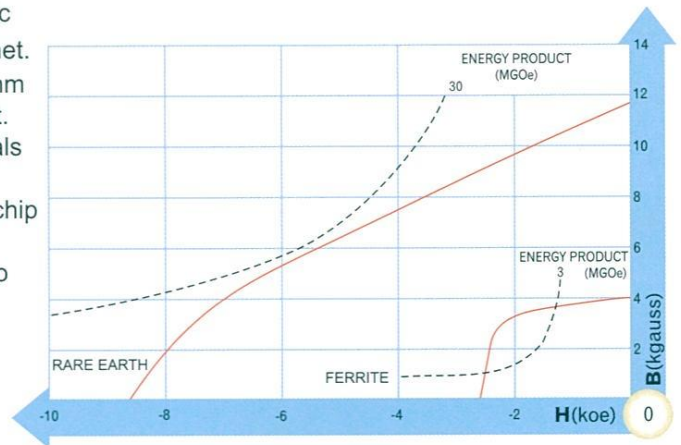
### APPLICABLE TO THE MACHINES

- \* Surface grinder
- \* Centerless grinder
- \* Internal/external grinder
- \* Honing machine
- \* Thread grinding machine
- \* Gear grinding machine
- \* Electric discharge machine
- \* Polisher Lapping machine

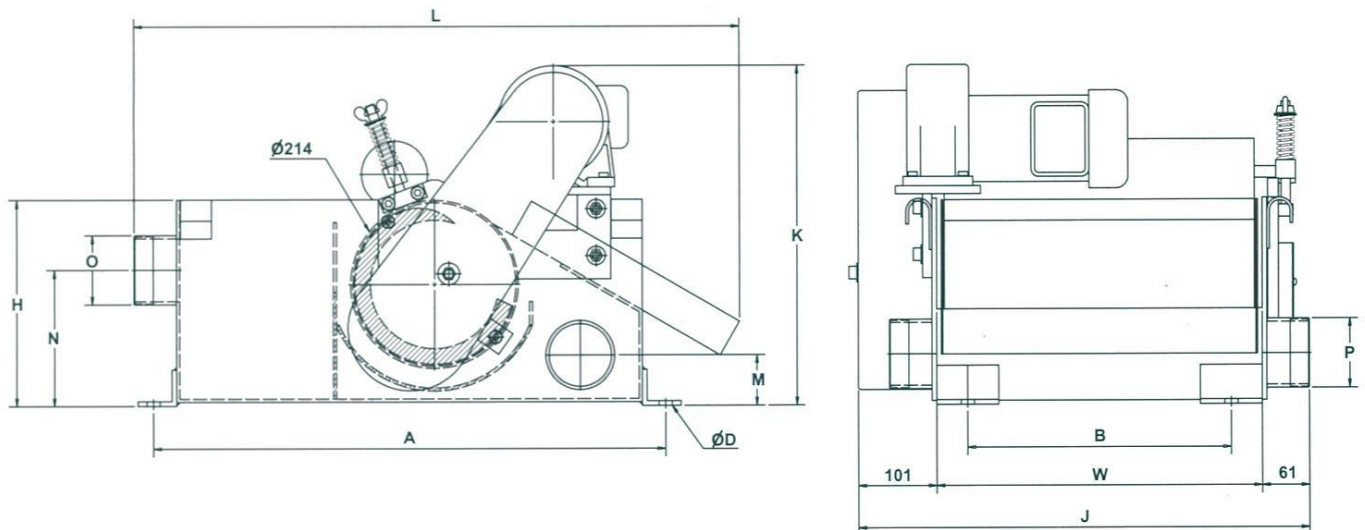
## FEATURES

1. Adopt permanent Rare Earth magnet with super magnetic force **10 times** of conventional ferrite permanent magnet.
2. Enlarged outside diameter of magnetic drum up to  $\varnothing 214$ mm to extend magnetic area providing more satisfactory effect.
3. Able to absorb chips in coolant to prevent filtration materials from wearing out.
4. Chip outlet is demagnetized so as to provide unhindered chip discharge.
5. Static permanent magnet with rotary stainless steel pipe to save power and resources.
6. Good absorption efficiency for the material of weak magnetism such as carbide, carbon remover of hardened steel, etc.
7. Grinding oil can be well filtered so as to save re-filtration cost.

## TYPICAL CURVES OF PMNMAX



## SS-240 DIMENSION



## SPECIFICATIONS OF 10T MAGNETIC SEPARATOR

MODEL	FLOW RATE L/MIN	L	W	H	M	N	A	B	D	J	K	INLET O	OUTLET P	MOTOR
SS-80	80	720	220	255	60	145	560	140	17	392	440	PF 2"	PF 2 1/2"	100W 1/360
SS-120	120	720	260	255	70	145	560	180	17	432	440	PF 2 1/2"	PF 3"	100W 1/360
SS-180	180	720	320	255	80	145	560	240	17	492	440	PF 3"	PF 3"	100W 1/360
SS-240	240	820	420	265	60	170	660	340	17	592	450	PF 3"	PF 3"	100W 1/360
SS-360	360	820	620	265	70	170	660	540	17	792	450	PF 4"	PF 4"	100W 1/360
SS-500	500	820	820	265	80	170	660	740	17	992	450	PF 5"	PF 5"	100W 1/360
SS-800	800	820	1220	265	80	170	660	1140	17	1392	450	PF 5"	PF 5"	200W 1/360

Mark : Using grinding oil its flow rate is between 1/2 times and 1/4 times ( It depended on viscosity and grain diameter )



**UNI MAGNETIC INDUSTRIAL CO., LTD.**  
NO. 70 LANE 305, SEC3, CHUNG SHAN RD, TAN TZE TAICHUNG,  
TAIWAN R. O. C.

TEL: (04) 5339765 • 5329765  
FAX : 886-4-5322750  
[http : //www.unimag.com.tw](http://www.unimag.com.tw)  
E-mail : unicold@ms26.hinet.net