



# EASY SUPER MAGNETIC SEPARATOR

## APPLICATION

- 1.Surface grinder
- 2.Centerless grinder
- 3.Internal/External grinder
- 4.Honing machine
- 5.Thread grinding machine
- 6.Gear grinding machine
- 7.Electric discharge machine
- 8.Polisher



## MSK-150

Color: RAL 7031

Utility Model Patent No.  
M261287 / M363942

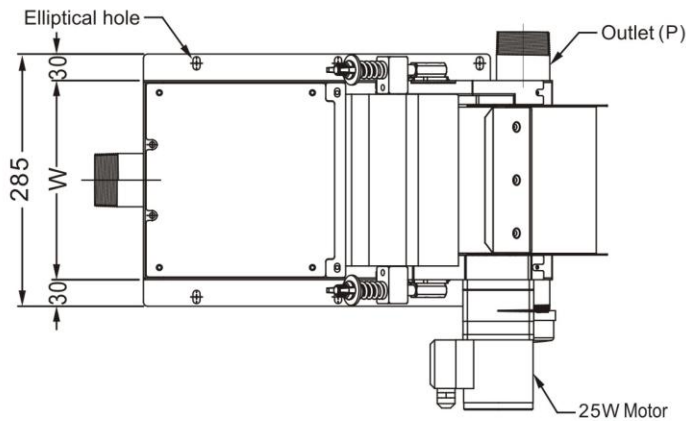
## FEATURES:

1. Perfect model, designed from 30 years of experience and customers' demand.
2. Rare earth magnets are used, magnetism of which is 10 times stronger than ferrite magnets. Easy to clean coolant with carbide of heat-treated metal. No filter media needed.
3. Stainless tube of magnetic drum and scraper do not interfere discharge of sludge. No magnetism around the discharge area on scraper. Position can be adjusted when it is worn.
4. Gum roller adjustment without any tool.
5. The coolant outlet can be set on bottom, left or right side.
6. The position of motor can be set on left or right side (Standard layout is on left side).

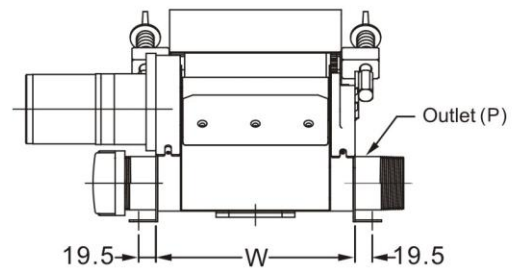
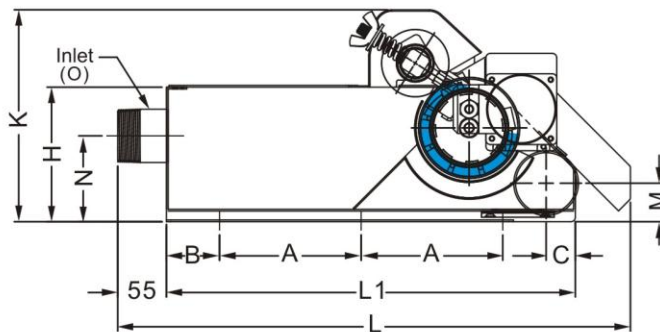


**No sludge and coolant accumulation  
on scraper**

# DIMENSION



**PEAK VALUE OF MAGNETIC ZONE IS HIGHER THAN 4200 GAUSS**



## SPECIFICATIONS

MODEL	FLOW RATE L/MIN	L	L1	W	H	M	N	A	B	C	K	INLET (O)	OUTLET (P)	MOTOR
MSK-20	20	434	318	155	139	37	79	113	30	28	226	PT 1 1/2"	PT 1 1/2"	220V 3Ø 25W
MSK-30	30	434	318	190	139	37	79	113	30	28	226	PT 1 1/2"	PT 1 1/2"	220V 3Ø 25W
MSK-40	40	502	386	190	139	37	79	133.5	47	28	226	PT 1 1/2"	PT 1 1/2"	220V 3Ø 25W
MSK-60	60	579	462	225	152	43.5	97	160	60	33	239	PT 2"	PT 2"	220V 3Ø 25W
MSK-80	80	579	462	260	152	43.5	97	160	60	33	239	PT 2"	PT 2"	220V 3Ø 25W
MSK-100	100	589	470	295	160	48	105	167.5	55	45	247	PT 2 1/2"	PT 2 1/2"	220V 3Ø 25W
MSK-150	150	616	490	365	170	53	112	167.5	60	47.5	257	PT 3"	PT 3"	220V 3Ø 25W
MSK-180	180	600	490	435	177	56	122	167.5	60	49.5	264	PT 3"	PT 3"	220V 3Ø 25W
MSK-240	240	651	510	505	207	71	142	167.5	60	61.5	294	PT 3"	PT 4"	220V 3Ø 25W
MSK-300	300	651	510	645	207	71	142	167.5	60	61.5	294	PT 4"	PT 4"	220V 3Ø 25W

### NOTE

1. Capacity will become 1/2 - 1/4 of its original flow rate, depending on the viscosity of oil.
2. The reduction ratio can be changed to 1/900 - 1/1800 to reduce the oil content of sludge. (Optional)
3. If the swarf size is over 50  $\mu$  - 100  $\mu$  and easy to attract, selecting model with conventional ferrite magnet can reduce the purchasing cost. (MSK-\*\*\*F)
4. If the coolant is emulsion or oil based coolant causing the gum roller skid, MSK can be upgraded to dual drive (motor & gum roller) magnetic separator to solve this problem. Model: MSKD-\*\*\*.



**UNI MAGNETIC INDUSTRIAL CO., LTD.**

23, Gongye West 6th Rd, Lukang Town,  
Chang hua Hsien, Taiwan R. O. C

TEL: 886 - 4 - 7810900

FAX: 886 - 4 - 7810901

[http : //www.unimag.com.tw](http://www.unimag.com.tw)

E-mail : [unicoltd@ms26.hinet.net](mailto:unicoltd@ms26.hinet.net)

120118-1000



ISO 9001  
FM 518819