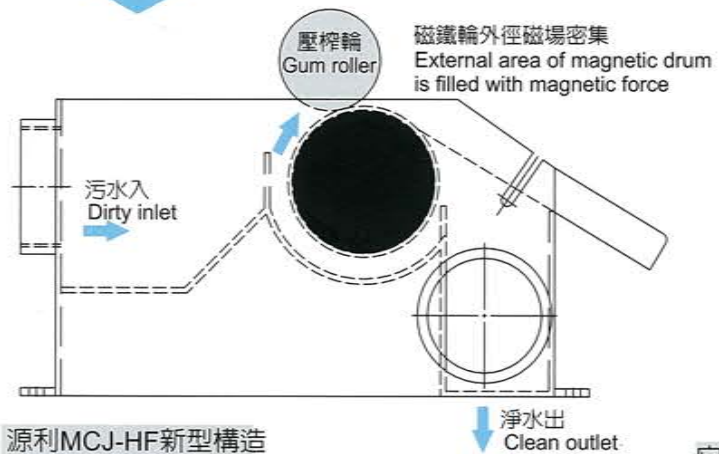


構造比較圖 COMPARISON

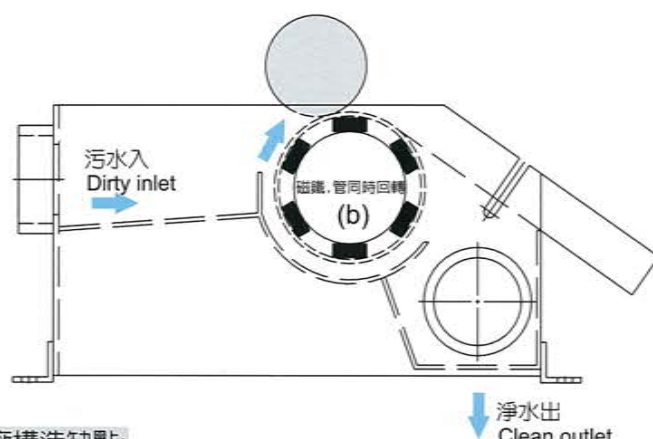


源利MCJ-HF新型構造

- 特點: 1.接液部磁場密集。
2.兩側無磁力區加擋板, 污水只由磁力區通過。

Structure of MCJ-HF new type (UNIMAG)

- Feature: 1.The external area of drum closes to the coolant with fully magnetic filed.
2.Both sides are equipped with weir, so dirty coolant flows through strong magnetic field only.



它廠構造缺點:

- 特點: (a).未充份利用磁鐵背面磁力, 以致磁力太弱。
(b).磁鐵排列太疏, 效果不佳。

Structure of others:

- Feature: (a).Other suppliers did not utilize both sides of magnets, which result in weak magnetic force.
(b).Magnet arrangement is too loose that causes poor performance.

磁場強度 Magnetic field gauss

源利磁鐵過濾機

它廠磁鐵過濾機



MCJ-60HF
磁場峰值2100高斯以上, 為同業同級品最高值
Peak value of magnetic zone is higher than 2100 gauss, the highest among similar products.



磁場峰值800高斯
Other suppliers owns only 800 gauss.



ISO 9001
FM 518819

經銷商:
Distributor



源利電磁工業股份有限公司

UNI MAGNETIC INDUSTRIAL CO., LTD.

彰化縣鹿港鎮彰濱工業區工業西六路23號

No 23, Gongye West 6th Rd, Lukang Town,
Chang hua Hsien 50544, Taiwan R. O. C

TEL: 886 - 4 - 7810900

FAX: 886 - 4 - 7810901

http://www.unimag.com.tw

E-mail: unicoltd@ms26.hinet.net

170829-2000



切、研削冷卻液過濾裝置

CUTTING & GRINDING COOLANT FILTRATION SYSTEM

高氧 磁鐵過濾機

高磁力氧化鐵簡稱高氧

HF MAGNETIC SEPARATOR



MCJ-60HF

新型專利
第 M414995號

標準色: 藍灰色
Color: RAL 7031



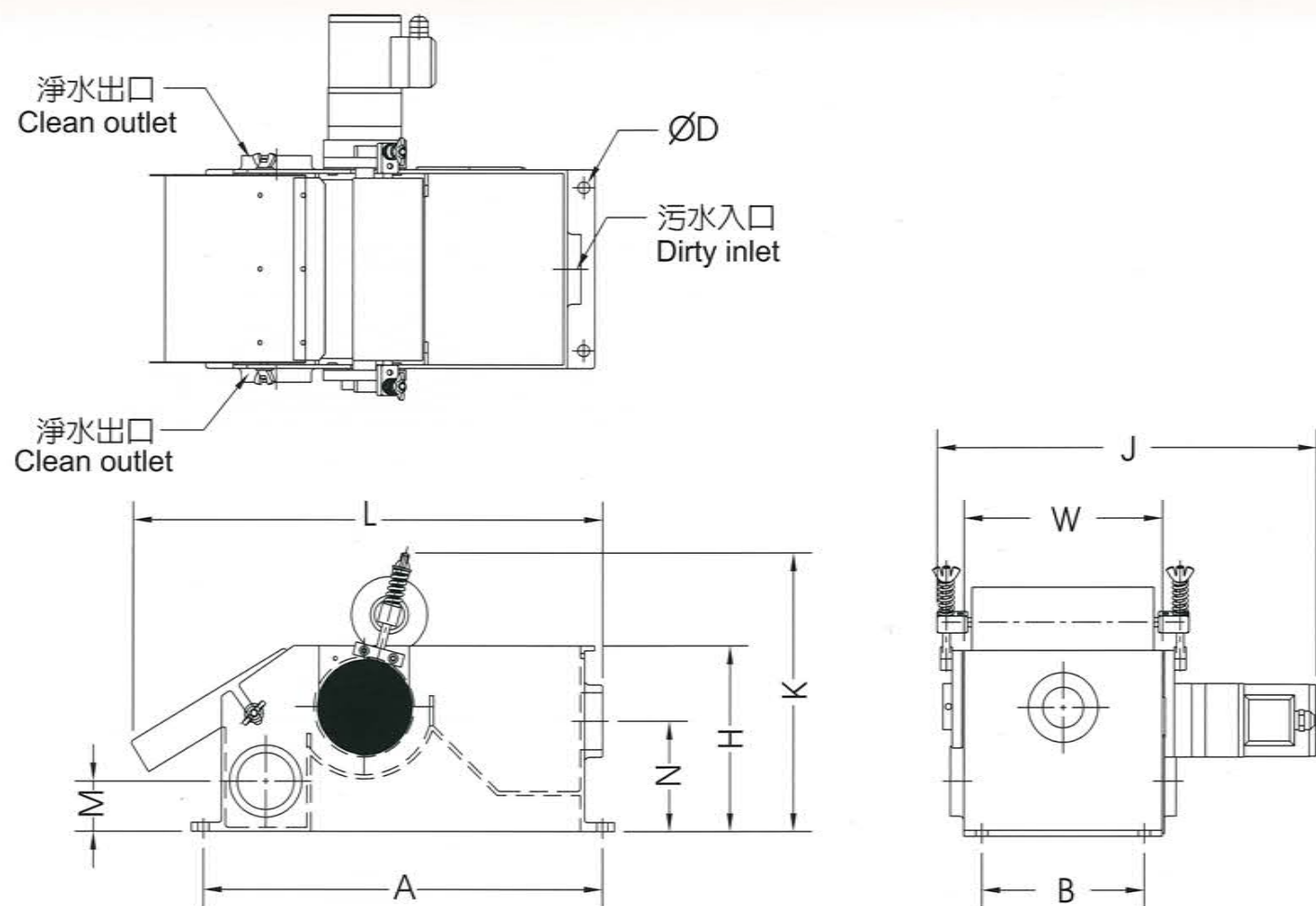
適用機械

APPLICABLE TO MACHINES

- | | |
|-----------|--------------------------------|
| 1. 平面磨床 | 1. Surface Grinder |
| 2. 無心磨床 | 2. Centerless Grinder |
| 3. 內、外徑磨床 | 3. Internal / External Grinder |
| 4. 搪磨床 | 4. Honing Machine |
| 5. 螺紋磨床 | 5. Thread Grinding Machine |
| 6. 齒輪磨床 | 6. Gear Grinding Machine |
| 7. 拋光機 | 7. Polisher |

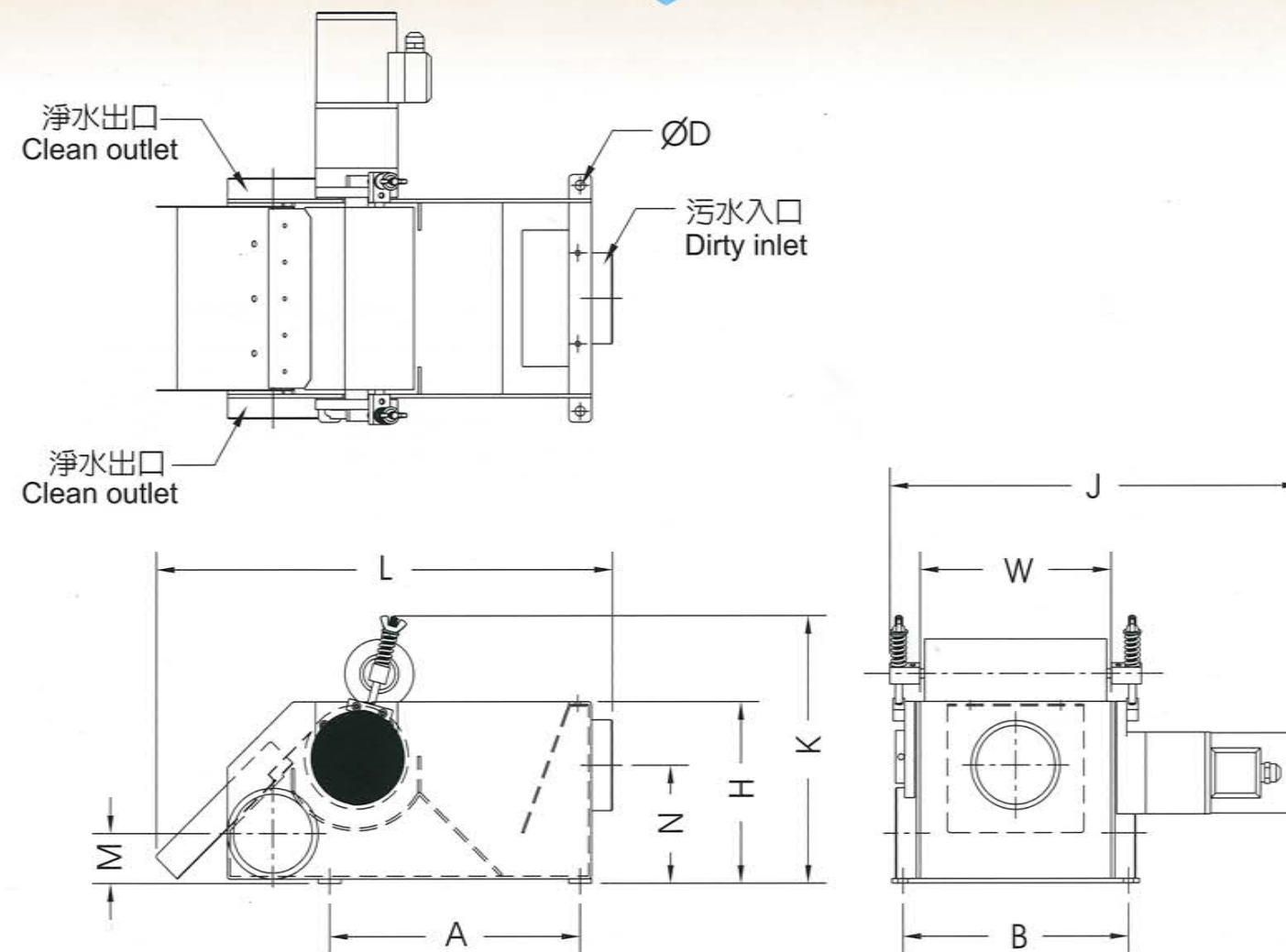
MCJ 40HF~160HF 外型尺寸圖

DIMENSION



MCJ 240HF 外型尺寸圖

DIMENSION



特點

- 1.使用最高等級氧化鐵永久磁鐵，加上最佳磁路設計，磁力為同業同級品最高值，**磁力較前代提高50%**。
- 2.磁鐵輪外徑磁場密集，捕捉鐵屑效果佳。
- 3.本體以鋁合金壓鑄而成，美觀不漏水，不感應磁性。(註3)
- 4.上刮板如磨損，間隙可調整至刮得乾淨。
- 5.能將冷卻液中可吸磁雜質吸住，壓乾後自動排出，完全無濾材消耗。

FEATURES:

1. Use superior ferrite permanent magnets and by best magnetic circuit design, the attractive forces are the best among similar products **Increases magnetic power by 50%.**
2. External area of magnetic drum is filled with magnetic force, perform best in filtration process.
3. Frame is die-cast by aluminum-alloy. Super appearance and leak-proof. Un-attractive to magnetic force. (Note 3)
4. You can adjust the upper scraper while it is wearing.
5. The magnetic drum can attract the impurities from the coolant. After squeezing, it can be discharged automatically and without any consumption.



高氧磁鐵過濾機規格尺寸表 HF MAGNETIC SEPARATOR SPECIFICATIONS

型號 MODEL	處理能力 FLOW RATE L/MIN	L	W	H	M	N	A	B	D	J	K	重量 (Kg)	入口 INLET O	出口 OUTLET P	馬達 MOTOR	註2 NOTE 2	
MCJ-40HF	40 Note1		150	165				120		353		19					
MCJ-60HF	60	464	206	185	50	110		176		409	280	25	PT 2"	PT 2"	200/220V 3Ø 25W		
MCJ-80HF	80		242				398	212	Ø11	445		31		PT 2 1/2"			
MCJ-120HF	120	485	270	220		140		230			473	315	35			200/220V 3Ø 40W	
MCJ-160HF	160		354		60			314		557		44	PT 3"	PT 3"			
MCJ-240HF	240	503	450	200		125	275	488		690	295	66					

註: 1. 如用於油性研磨液處理能力應以1/2-1/4計算。(視研磨黏度而定)。 Note: 1. Disposal capacity for oil coolant shall be 1/2-1/4. (Depending on viscosity)
 2. 為降低排出屑之含油率可增大齒輪減速比為1/900(特別附件)。 2. In order to reduce the grease rate of exhausting sludge, the ratio of speed-reducing on the gear shall be increase to 1/900. (Extra option)
 3. MCJ-240HF 除外。 3. Except MCJ-240HF.